

FEATURES:-

- 4 digit with large LCD resettable totalizer or flowrate display (20mm high)
- 6 digit resettable (or not) totalizer with dual flowrate display
- **Total in Litres or optional Kilo-Litres**
- **Flowrate in Litres/min. or optional Litres/sec.**
- Easy reset of total via flip top lid. (where activated).
- $\pm 2.5\%$ accuracy, at 0.7 - 8.0 m/s flow velocity
- Repeatability: $\pm 1.0\%$
- Internal 3.6 v Lithium Battery (8+ year life).
- Max. Process Temperature 90 °C.
- Max. Ambient Temperature 55 °C.
- Max. Operating Pressure: PVC Tee' options rated to 1100 kPa
All Metal Tee options are rated 1500 kPa
- With simple installation pipe fittings/adapters.
- For pipe sizes from 20 to 100 mm (short stem version) or 125 to 500mm (long stem version)
- Optional programmable pulse output, via M12 IP67 plug set
- Robust ABS-UV IP66 Display housing
- Dual Hinged robust lid protects LCD from sunlight, with magnet secure function.
- Slip insertion sensor design with locking cap allows simple removal from pipeline if cleaning rotor.
- Optional External re-calibrate via Portable Device with RFID and EWM calibration software.

TYPICAL APPLICATIONS:-

- Water Transfers
- Irrigation Channel Syphons
- Golf Course and Park Water Management
- Potable Water Measurement
- Raw Water Pump Stations
- Truck Loading and Discharge
- Process Flow Monitoring
- Cooling Towers
- Feedlot Water Management



'Dual Display'
6 Digit Resettable
Running Total &
5 Digit Flow Rate



MRTU6-GAL50
with 50mm (2")
GAL Pipe Fitting

MRTU6: Ideal in Irrigation and many other general water measurement and monitoring applications. Incorporating the widely used RPFS sensor design.



MRTU4 with PVC
Pipe Adaptor Fitting
& Pulse output option



MRTU6 with Saddle
Clamp Fitting

The *MRTU4* or *6* resettable counter flowmeter is designed and manufactured in Australia by ManuFlo. The *MRTU4* or *6* has a unique 'quick release' slip insertion stem section designed to be inserted to the ManuFlo 1" nipple adaptors which allows the display head to be fitted to most 1" BSP female entries. Usually, the *MRTU6* is pre-fitted with a ManuFlo 'T' piece pipe adapter, adapters are available for a range of pipe sizes from 20 to 500 mm diameters.

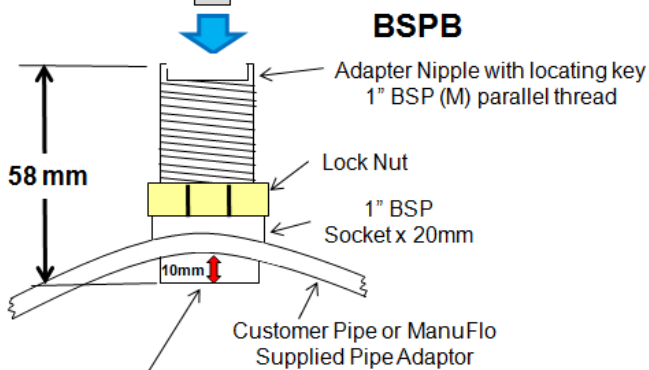
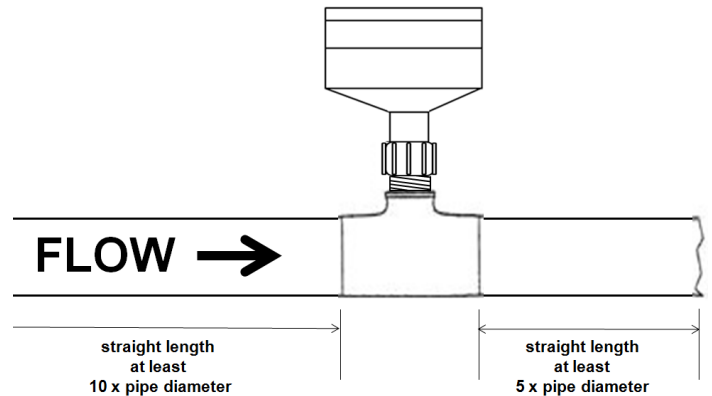
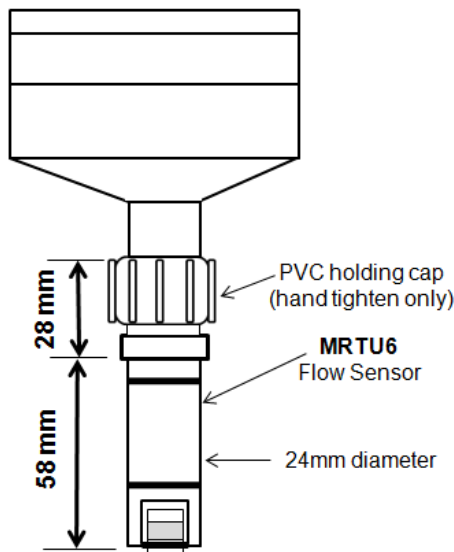
The *MRTU4* or *6* is suitable for medium to high flow range liquid flow measurement application and is internally battery powered.

The flowmeter's only moving part (a stainless steel alloy rotor which turns as liquid flows past it) allows registration in Litres (L) or KiloLitres (KL) with up to 3 decimal places on the 6 digit Liquid Crystal resettable display counter with flowrate indicator in Litres per minute (L/M) or Litres per second (L/S) with optional 1 decimal place. The main body component, consisting of the electronic counter board, is housed in a robust ABS-UV resistant IP66 enclosure. The LCD display is visible through the toughened ABS-UV window and sealed by a recessed gasket and 4 stainless steel screws. A special scratch resistant film allows optimal reading even in the harshest conditions. The impact resistant ABS-UV lid protects the LCD from prolonged sun exposure, contaminants and breakage.

PIPE SIZE versus FLOW RANGE GUIDE

Pipe Size (mm)	Flowrange (Litres/minute)	
	Min @ $\pm 2.5\%$	Max @ $\pm 2.5\%$
20	13	160
25	23	235
32	32	385
40	50	600
50	90	940
63	130	1300
65	140	1400
75	160	1600
80	200	2410
90	265	2670
100	300	3760
110	395	3990
125	515	5150
140	645	6460
150	660	7780
160	845	8820
225	1670	16700
250	2060	20600
280	2580	25860
300	3260	30770
315	3270	32730
500	8700	81900

INSTALLATION GUIDE



Insertion of the adaptor pipe nipple should intrude approx. 10mm past the curvature of the pipe (to obtain optimum results).

MRTU4 reset total



MRTU4-F Flowrate



MRTU6 Flowrate +
Reset or running total



PIPE ADAPTOR FITTINGS AVAILABLE:

Material	GAL	PVC	PVC	Polypropylene	Polypropylene	STAINLESS	BRASS	BRASS/SS
Type	T-Piece	slip T-piece	Saddle Clamp	SaddleClamp	SaddleClamp	T-Piece	T-piece	Socket
For	Gal pipe	Pressure pipe	Pressure pipe	PVC Irrigation pipe	Poly Pipe Black	S/Steel pipe	Brass pipe	
Sizes Available	20 - 100mm	20 - 100mm	40 - 300mm	40 - 300mm	40 - 315mm	25-50mm	20-25mm	20-500mm
	Galvanised Iron, threaded ends BSP(female). 2000 kPa NOTE: can be supplied with straight pipe sections already fitted (Part GAL25-T2)	PVC T-piece Class 18, Cat 19 Glue-in (female) 1100 kPa	PVC 1400 kPa	PVC ≤ 150mm: 1600 kPa > 150mm: 1000 kPa	Poly-pipe agricultural Saddle Clamps. ≤ 150mm: 1600 kPa > 150mm: 1000 kPa	Stainless Steel 316 T-piece. BSP (female) threaded entry 2000 kPa	Brass T-piece BSP (female) threaded entry 2000 kPa	1" BSP Brass pipe socket adaptor & BSPB BSPB-LS BSPSS nipple adaptors