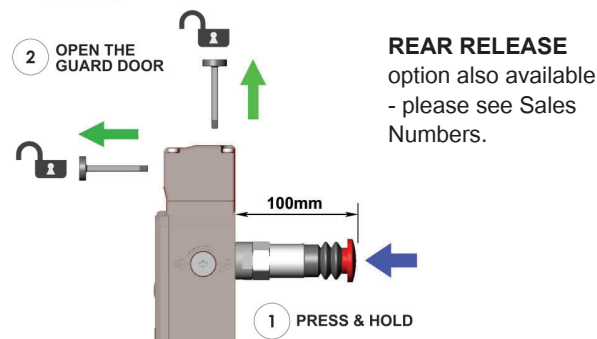
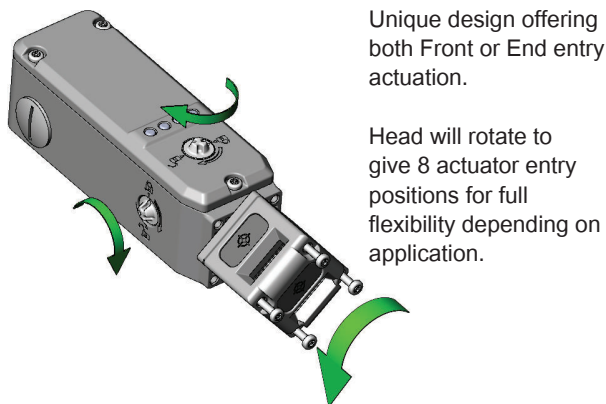


RFID Guard Locking Switch S/Steel Type: PARSALOCK KL3-SS-Z

FEATURES:



REAR RELEASE
option also available
- please see Sales
Numbers.



Unique design offering
both Front or End entry
actuation.

Head will rotate to
give 8 actuator entry
positions for full
flexibility depending on
application.



Front entry actuation
direction.



End entry actuation
direction.

Solenoid Locking Interlock Safety Switch featuring RFID Interlocking

The KL3-SS-Z Series Guard Locking switches have been designed to incorporate high anti-tamper RFID coding and provide PLe safety levels to ISO13849-1.

The RFID sensing is complemented by a traditional cam locking system which has been developed with a holding Force of 3000N to keep guard doors closed until hazards have been removed.

Unique rotating head to offer both Front and End actuation.

32 million RFID codes – each switch unique – high coding to ISO14119.

The fully Stainless Steel 316 enclosure has IP69K ingress protection which is maintained by a double seal lid gasket design.

They have a slim profile and are designed to fit on 50mm (2in) frame sections or to applications where space is restricted and the head will rotate to provide up to 8 actuator entry positions and includes front and end entry sensing.

Can be high pressure hosed at high temperature with detergent.

Choice of standard or flexible actuators.

M12 Quick connect version available.

FUNCTIONAL SPECIFICATIONS:

Solid State OSSD Safety Outputs short circuit protected.

High Functional Safety to ISO13849-1, maintains PLe Interlocking via self-test technique when switches are connected in series to a safety controller or relay.

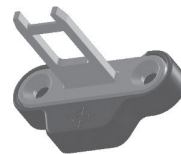
2 Safety Circuits - closed when switch is locked and machine able to run.

1 Auxiliary circuit for indication of Guard status (Guard open).

1 Auxiliary circuit for indication of Lock Status (Guard locked).

4 diagnostic LED's to display guard position, lock, input/output signals and fault status.

ACTUATOR OPTIONS:



AZ Standard Actuator



HFZ Flexible Actuator

Standards: IEC60947-5-3 ISO14119 ISO13849-1
IEC62061 UL508

Safety Classification and Reliability Data:

| | |
|---|---|
| Supply Voltage | 24Vdc (+/- 10%) |
| Power Consumption | R+ (50mA Max.) |
| | S+ (500mA Max) (Solenoid) |
| Safety Circuits (11-12, 21-22) | 24V 0.2A |
| Auxiliary Circuits (34 and 44) | 24Vdc 0.2A Max. output current |
| Rated Insulation Voltage | 500VAC |
| Holding Force (ISO14119) | F1 Max 3000N Fzh 2307N |
| Actuator insertion distance for assured locking | 5mm |
| Sao Sar (RFID sensing) | Sao 10mm Sar 20mm |
| Operating Frequency | 1Hz |
| Actuator entry minimum radius | 175mm Standard 100mm Flexible |
| Body Material | Stainless Steel 316 |
| Head Material | Stainless Steel 316 |
| Actuator Material | Stainless Steel 316 |
| Enclosure Protection | IP67 |
| Operating Temperature | -25C to +40C |
| Mechanical Life Expectancy | 2.5 x 10 ⁶ cycles |
| Vibration | IEC88-2-6, 10-55Hz + 1Hz Excursion 0.35mm 1 octave/min |

Characteristic data according to IEC62061 (used as a subsystem)

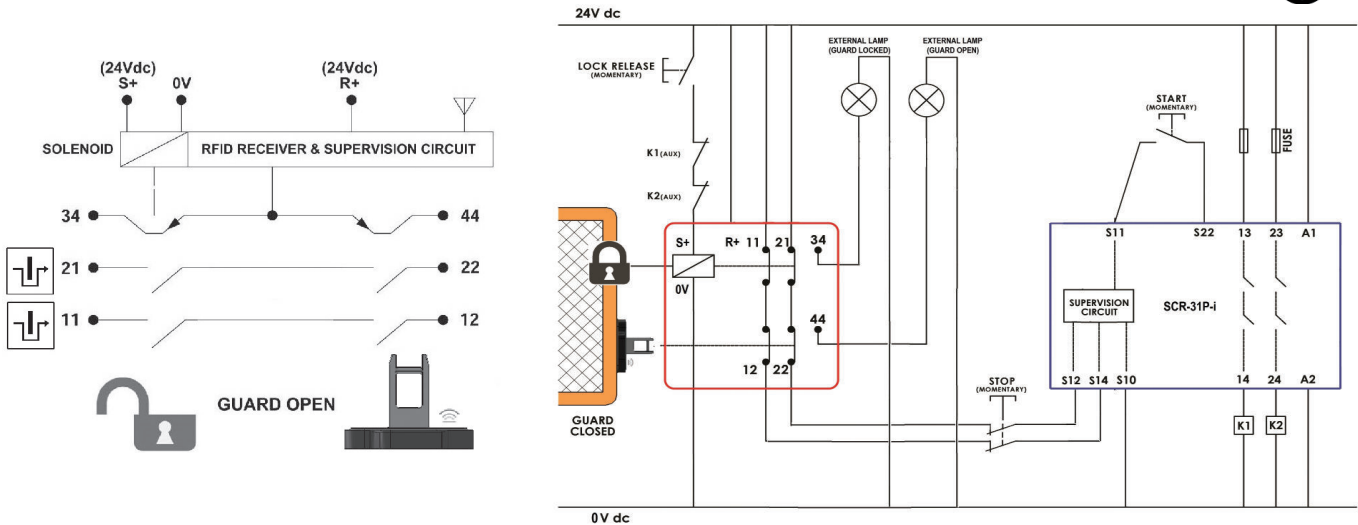
| | |
|------------------------------------|---------------------------------------|
| Safety Integrity Level | SIL 3 |
| PFH (1/h) | 4.80 E-10 Corresponds to 4.8% of SIL3 |
| Proof Test Interval T ₁ | 20a |

Chararistic data according to EN ISO13849-1

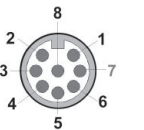
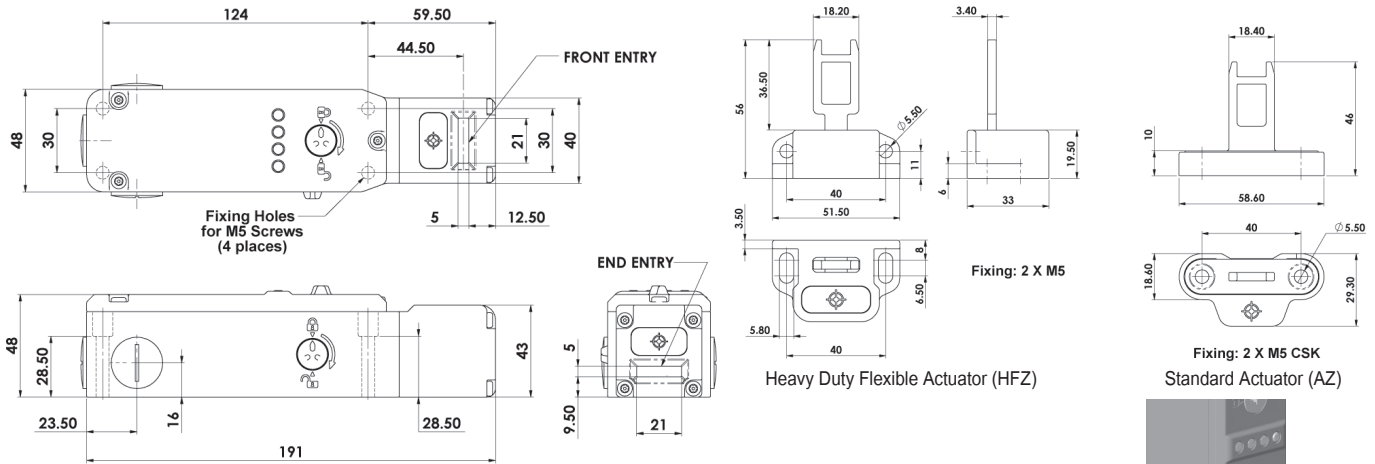
| | | |
|------------------------|------------|---|
| Performance Level | e | If both channels are used in conjunction with a SIL 3/PLe control device. |
| Category | Cat 4 | |
| MTTF _d | 1100a | |
| Diagnostic Coverage DC | 99% (high) | |

RFID Guard Locking Switch S/Steel Type: PARSALOCK KL3-SS-Z

SCHEMATIC & CONNECTION EXAMPLE:



DIMENSIONS:



| FEMALE QC LEADS | LENGTH | SALES NUMBER |
|-----------------|------------|--------------|
| M12 8 Way | 5m (15ft) | 140101 |
| M12 8 Way | 10m (30ft) | 140102 |

| Quick Connect (QC) M12 8 Way Male Plug Pin View from Switch | Terminal | Function | Switch Circuit | Rating |
|---|----------|--------------------------|---------------------------------|------------|
| 2 | R+ | 24V dc | Supply 24V dc | 50mA max. |
| 3 | 0V | 0V dc | Supply 24V dc (Ground) | |
| 7 | 11 | Safety Input 1 | Safety Circuit 1 | 200mA max. |
| 1 | 12 | Safety Output 1 | | |
| 4 | 21 | Safety Input 2 | Safety Circuit 2 | 200mA max. |
| 6 | 22 | Safety Output 2 | | |
| 8 | 44 | Auxiliary (Guard Open) | Guard open signal +24V dc out | 200mA max. |
| N/A | 34 | Auxiliary (Guard Locked) | Guard locked signal +24V dc out | 200mA max. |
| 5 | S+ | Unlocked | Unlock signal apply +24V dc | 500mA max. |

| LED 1 Guard State | |
|-------------------|------------------|
| Guard Locked | Green |
| Guard Unlocked | Green (Flashing) |
| Incorrect Code | Red (Flashing) |
| Guard Open | Red |

| LED 2 Input | |
|-------------------|-------|
| Safety Inputs On | Green |
| Safety Inputs Off | Off |

| LED 3 Output | |
|--------------------|-------|
| Safety Outputs On | Green |
| Safety Outputs Off | Off |

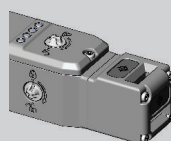
| LED 4 Solenoid | |
|-----------------------|-----|
| Solenoid Energised | Red |
| Solenoid De-energised | Off |

Manual Release Key
(order separately - not supplied with switches)

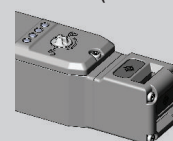


Sales Number: 140123

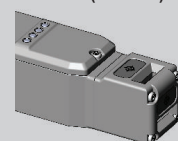
STANDARD MANUAL RELEASE LID AND SIDE



MANUAL RELEASE LID ONLY (Not SIDE)



NO MANUAL RELEASE FITTED (Blanked)



| SALES NUMBERS | STANDARD MANUAL RELEASE LID AND SIDE | | | MANUAL RELEASE LID ONLY (Not SIDE) | | | NO MANUAL RELEASE FITTED (Blanked) | | |
|--|--------------------------------------|-----------|-----------|------------------------------------|-----------|-----------|------------------------------------|-----------|-----------|
| | M20 | 1/2" NPT | QC M12 | M20 | 1/2" NPT | QC M12 | M20 | 1/2" NPT | QC M12 |
| KL3-SS-Z Switch with Standard Actuator | 456001AZ | 456002AZ | 456003AZ | 456401AZ | 456402AZ | 456403AZ | 456301AZ | 456302AZ | 456303AZ |
| KL3-SS-Z Switch with Heavy Duty Flexible Actuator | 456001HFZ | 456002HFZ | 456003HFZ | 456401HFZ | 456402HFZ | 456403HFZ | 456301HFZ | 456302HFZ | 456303HFZ |
| REAR RELEASE OPTION SALES NUMBERS | | | | | | | | | |
| KL3-SS-Z-RR Switch with Standard Actuator | 456011AZ | 456012AZ | 456013AZ | 456411AZ | 456412AZ | 456413AZ | 456311AZ | 456312AZ | 456313AZ |
| KL3-SS-Z-RR Switch with Heavy Duty Flexible Actuator | 456011HFZ | 456012HFZ | 456013HFZ | 456411HFZ | 456412HFZ | 456413HFZ | 456311HFZ | 456312HFZ | 456313HFZ |

For all IDEM switches the normally closed (NC) circuits are closed when the guard is closed actuator inserted.